

Freedom Innovations Hydraulic Ankle Family

Introducing!

... i **FREEDOM**
Kintrol™

K2

Hydraulic Ankle for K2 Ambulators

The Kintrol Foot/Ankle combines **cutting edge Kinterra™ hydraulic ankle technology** with the highest quality, aerospace grade fiberglass foot designed to provide K2 ambulators the comfort and control they demand.

Kintrol provides:

- Adopted Kinterra hydraulic ankle technology for the K2 user
- Full fiberglass keel for optimal flexibility and comfort
- Ultimate customization for patient preference

Flexibility and Stability
Find the perfect balance.

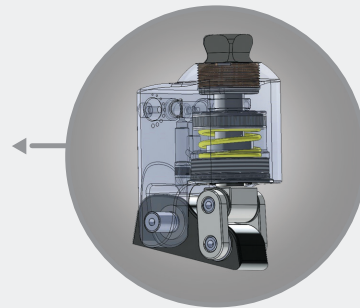


CHOOSE FREEDOM'S HYDRAULIC ANKLE FOR YOUR PATIENTS!

Only K2 & K3 hydraulic ankles *with independent* above the foot shell DF/PF adjustability

Designed for Assistance:

Active dorsi-assist spring aiding in toe clearance during swing phase to help prevent toe stubbing and tripping



Increased ground contact for better balance: Articulating ankle with progressive ankle stop provides smooth dorsiflexion transition for more comfort



FREEDOM
Kinterra™ 2.0
FOOT/ANKLE SYSTEM

K3

The Kinterra™ 2.0 Foot/Ankle System combines hydraulics and carbon fiber technology to provide low to moderate K3 ambulators an exceptionally normal walking gait— regardless of terrain or walking speed. This results in rock solid stability and the confidence for users to choose a new path.